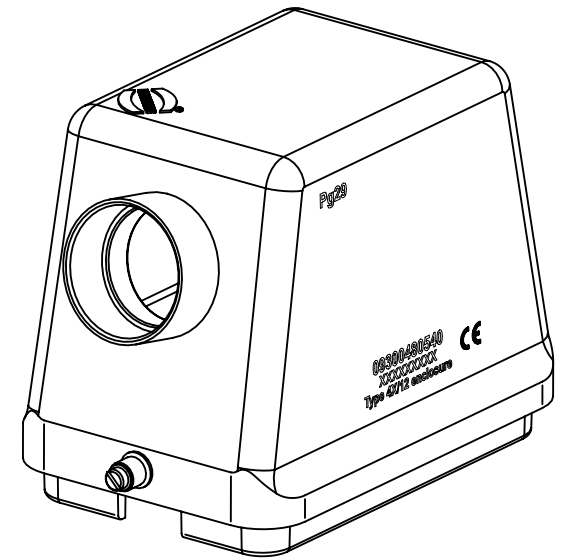
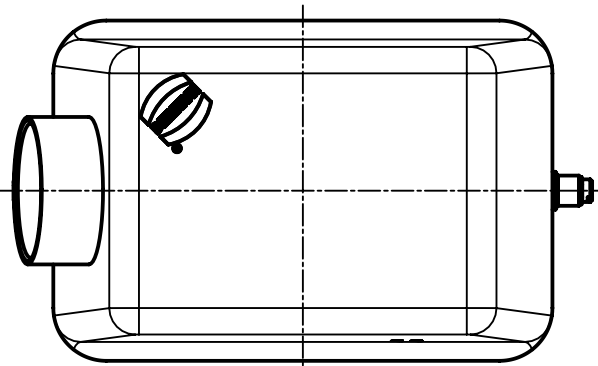
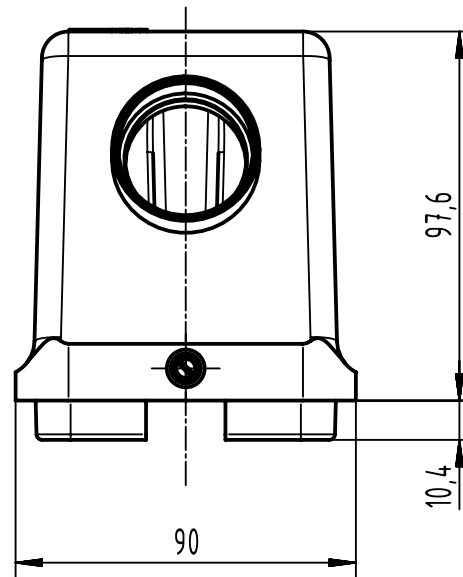
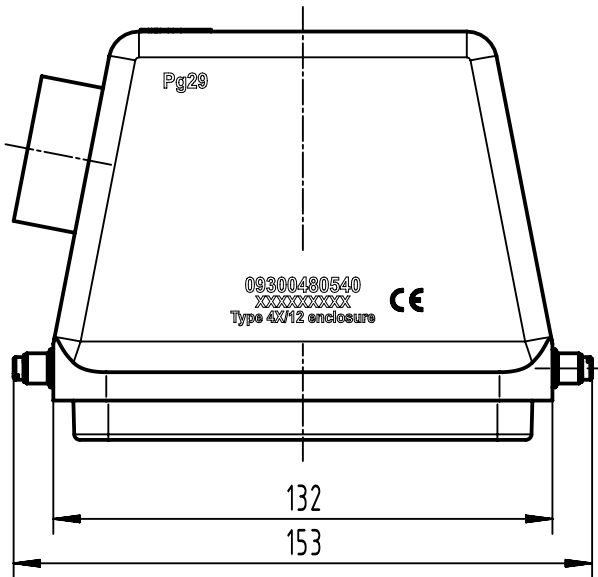
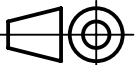



1 2 3 4 5 6

A
B
C
D



 All Dimensions in mm Original Size DIN A4	Scale	Free size tol.		Ref.	
	1:2			Sub.	
 All rights reserved Department EL PD	Created by	Inspected by	Standardisation	Date	State
	HELLMANN	GERB	302077	2021-03-16	Final Release
HARTING D-32339 Espelkamp	Title				Doc-Key / ECM-Nr.
	Han B Hood Side Entry HC 2 Pegs PG 29				100173577/UGD/004/E 500000190675
Type		Number		Rev.	Page
TB		09 30 048 0540		E	1/1