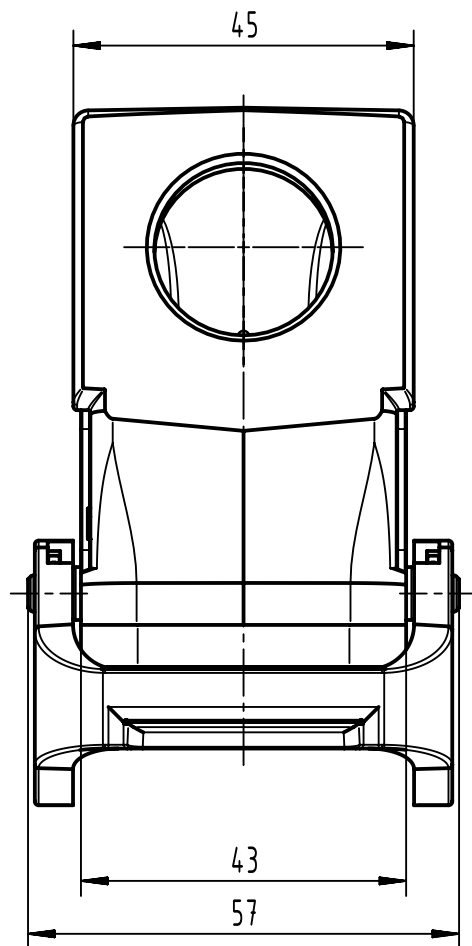
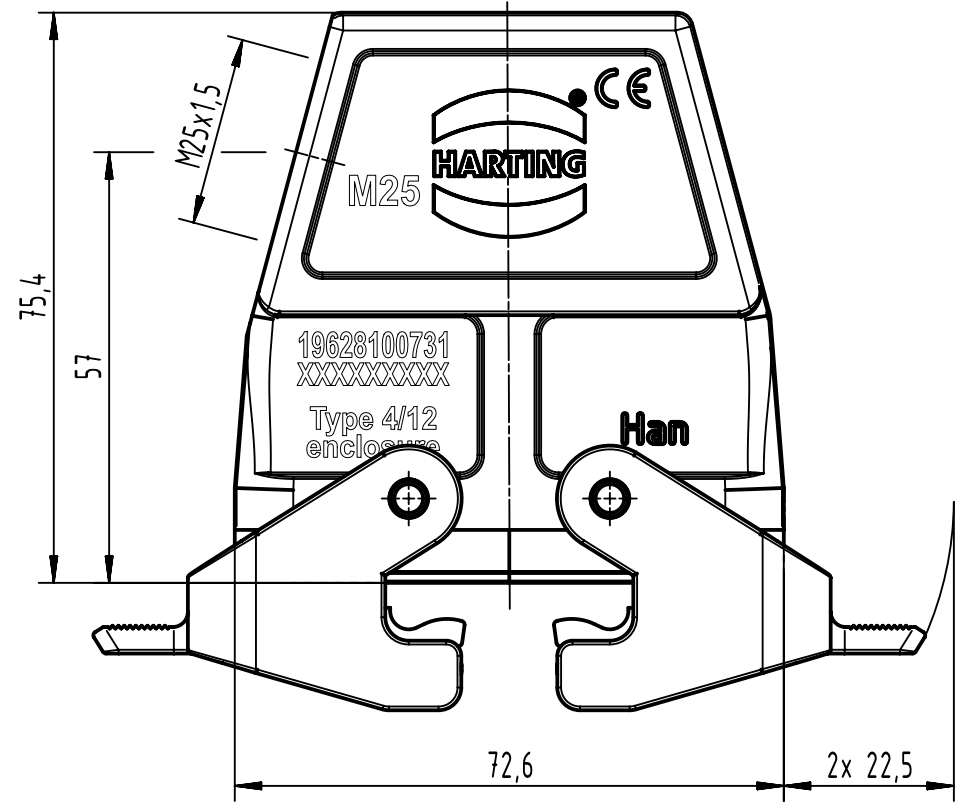
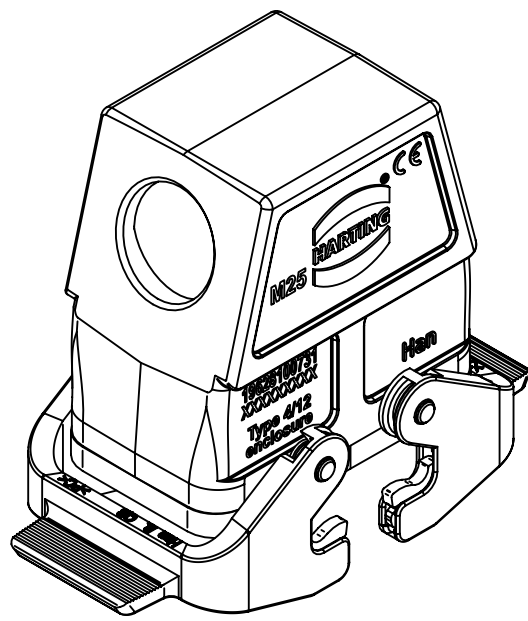


1 2 3 4 5 6

A  
B  
C  
D



	All Dimensions in mm Original Size DIN A4		Scale 1:1	Free size tol.		Ref.
						Sub.
	All rights reserved		Created by MEYERLE	Inspected by GERB	Standardisation	Date 2021-10-18
	Department EL PD					State Final Release
HARTING			Title Han 10EMC/B-HCC-DL-M25-side entry			Doc-Key / ECM-Nr. 100871913/UGD/001/C 500000203864
D-32339 Espelkamp			Type TB	Number 19 62 810 0731		
						Page 1/1