

1 2 3 4 5 6

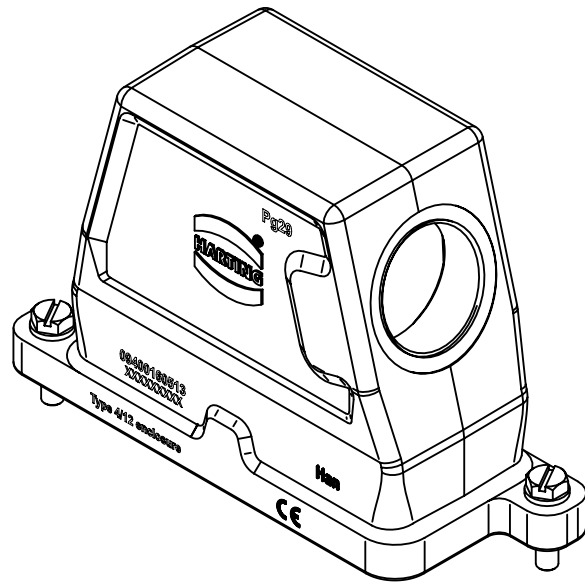
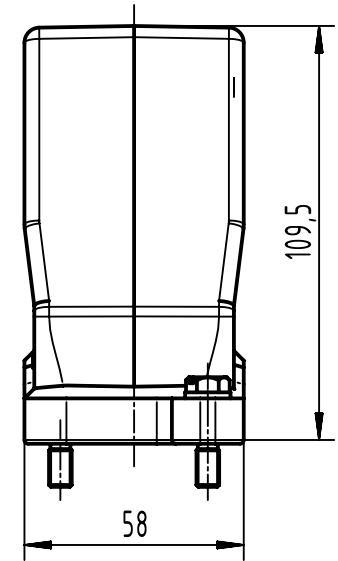
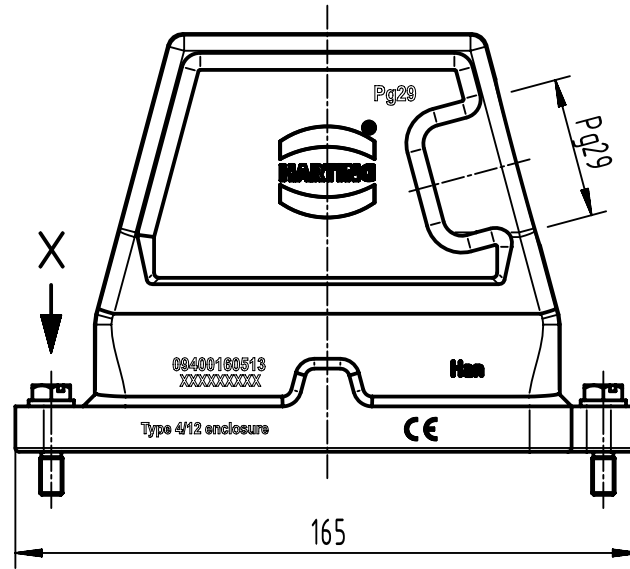
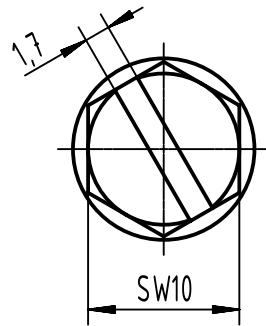
A

B

C

D

X (2:1)



	All Dimensions in mm Original Size DIN A4		Scale 1:2	Free size tol.		Ref.	
						Sub.	
	All rights reserved		Created by HELLMANN	Inspected by GERB	Standardisation 302077	Date 2021-01-19	State Final Release
	Department EL PD		Title Han 16 HPR Hood Side Entry PG 29 Screw L			Doc-Key / ECM-Nr. 100214.997/UGD/004/C 500000178007	
HARTING D-32339 Espelkamp			Type TB	Number 09 40 016 0513		Rev. C	Page 1/1