

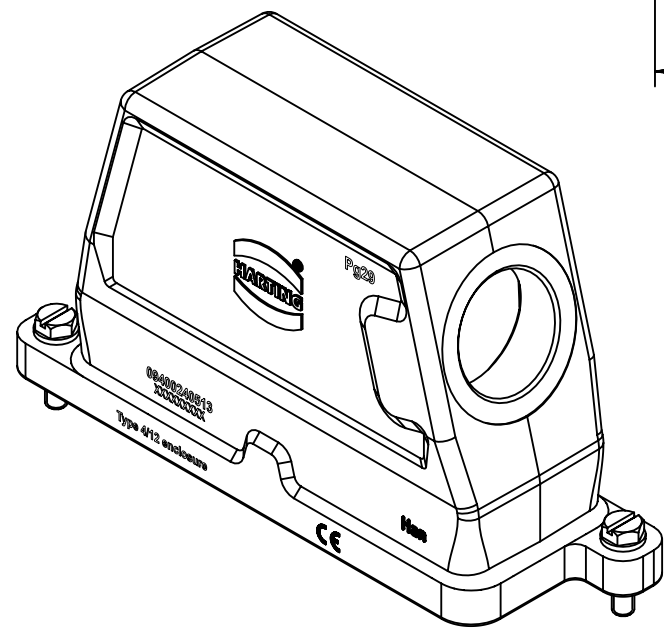
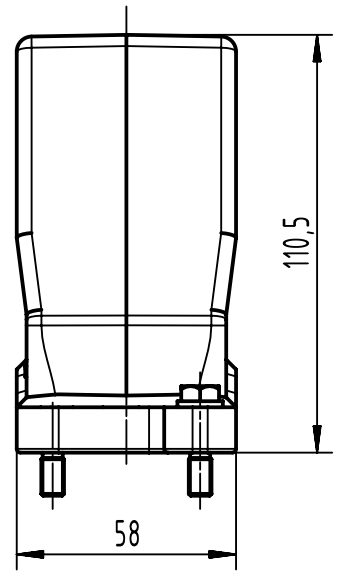
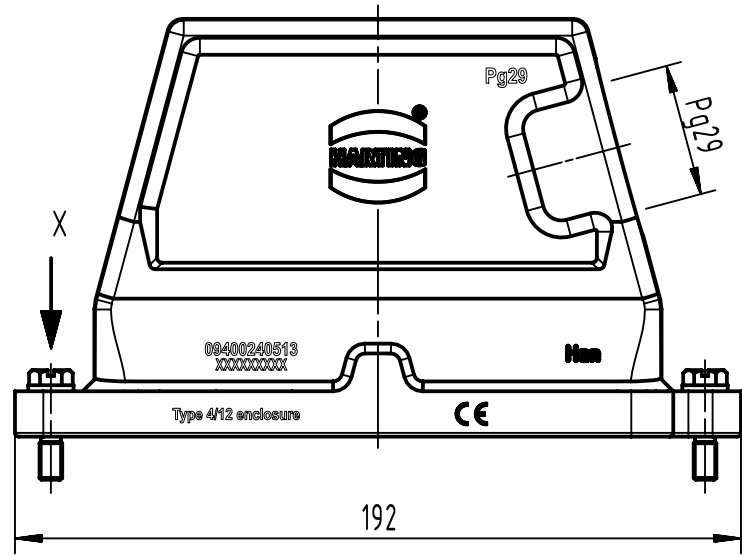
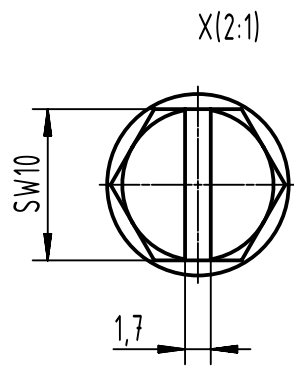
1 2 3 4 5 6

A

B

C

D



| | | | | | | |
|------------------------------|----------------------------------------------|-----------------------------------------|-----------------------------|----------------------|----------------------------------------------------------|------------------------|
| | All Dimensions in mm Original Size DIN A4 | | Scale 1:2 | Free size tol. | | Ref. |
| | | | Created by SPRENB | Inspected by GERB | Standardisation 302077 | Sub. |
| | | All rights reserved Department EL PD | Title Han 24HPR-gs-SV-29 | | Date 2020-12-09 | State Final Release |
| HARTING D-32339 Espelkamp | | Type TB | Number 09 40 024 0513 | | Doc-Key / ECM-Nr. 100172254/UGD/005/B 500000183544 | Rev. B Page 1/1 |