

1 2 3 4 5 6

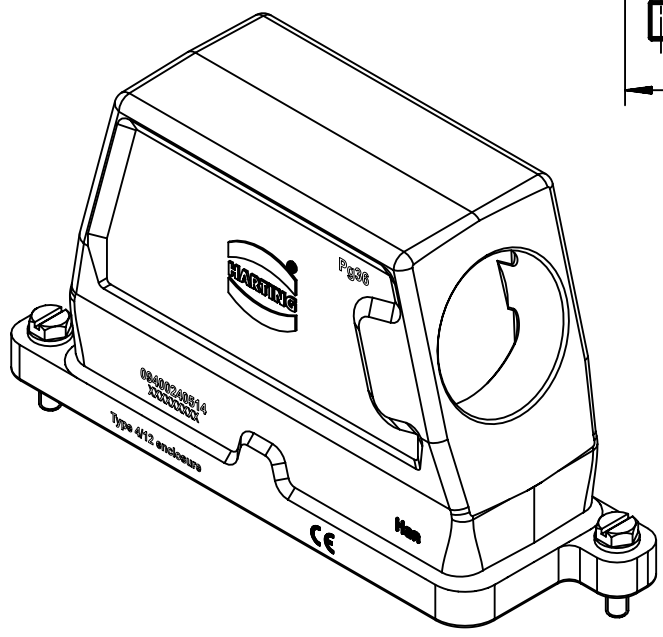
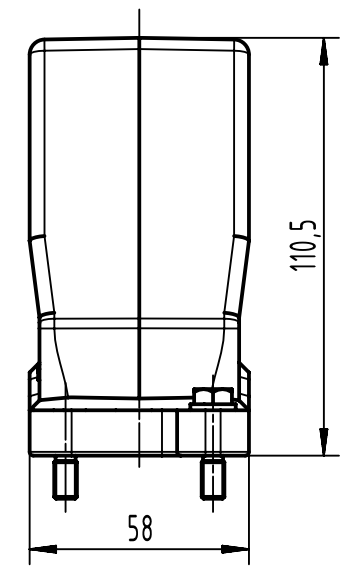
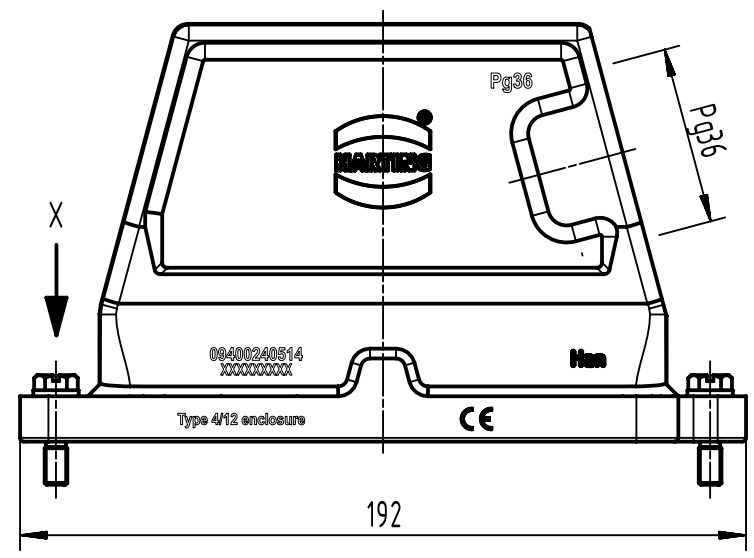
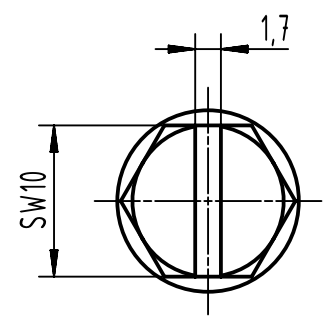
A

B

C

D

X(2:1)



	All Dimensions in mm Original Size DIN A4		Scale 1:2	Free size tol.		Ref.		
			Created by SPRENB	Inspected by GERB	Standardisation 302077	Date 2020-12-09	State Final Release	
All rights reserved Department EL PD		Title Han 24HPR-HSE-SCL-36				Doc-Key / ECM-Nr. 100172255/UGD/004/C 500000183544		
HARTING D-32339 Espelkamp		Type TB			Number 09 40 024 0514		Rev. C	Page 1/1