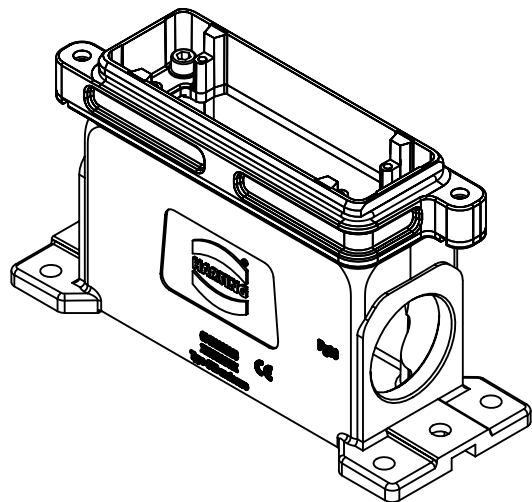
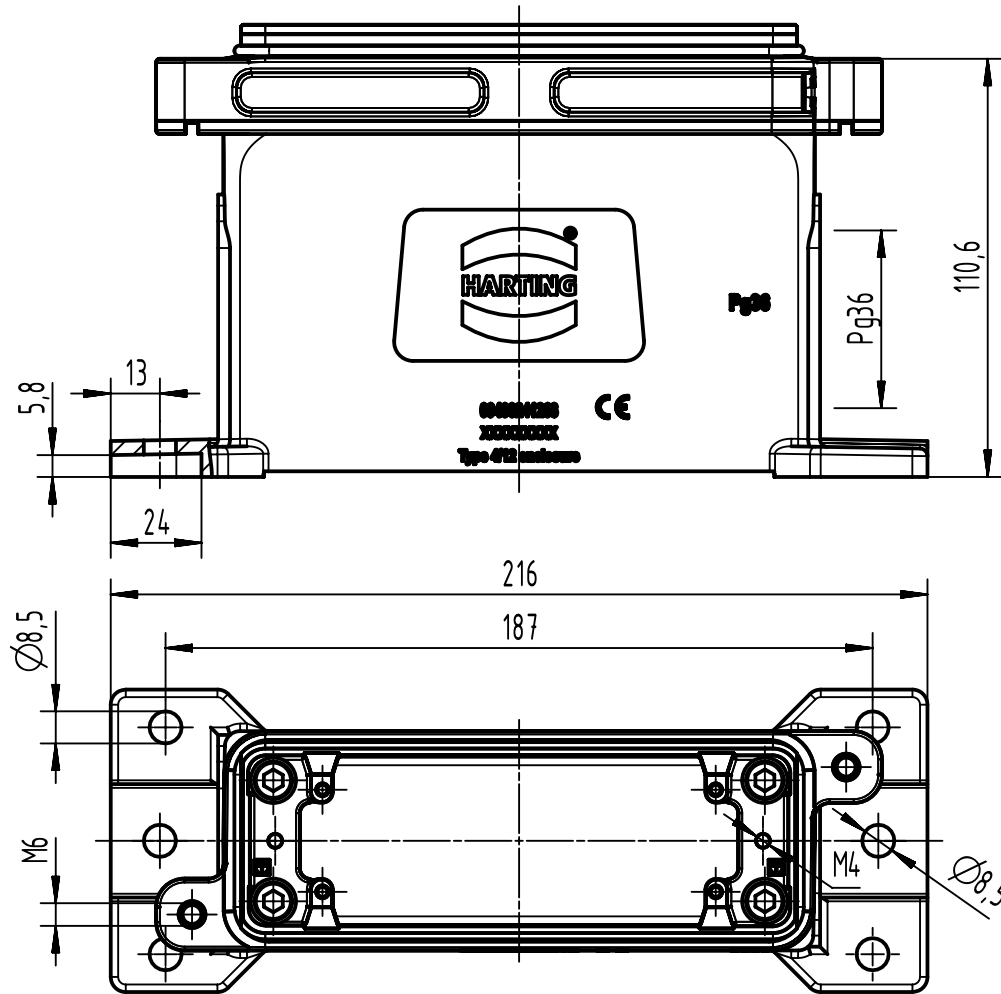
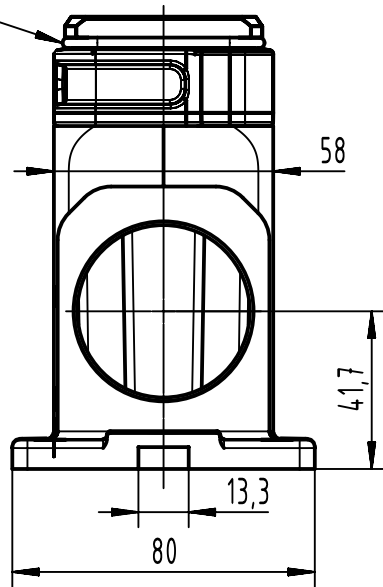



seal



	All rights reserved Department EL PD	All Dimensions in mm Original Size DIN A4		Scale 1:2	Free size tol.	Ref. Sub.
		Created by SPRENB	Inspected by SUNDERMEIER	Standardisation 302077	Date 2021-01-26	State Final Release
HARTING D-32339 Espelkamp		Title Han 24HPR-HSM-1x36-Screw Lock			Doc-Key / ECM-Nr. 100212736/UGD/004/F 500000186747	
		Type TB	Number 09 40 024 1263		Rev. F	Page 1/1