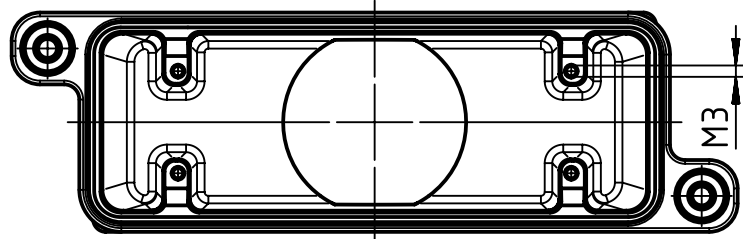
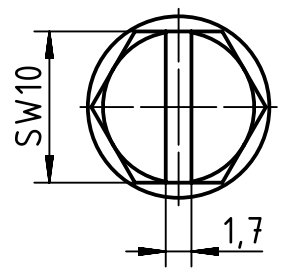


1 2 3 4 5 6

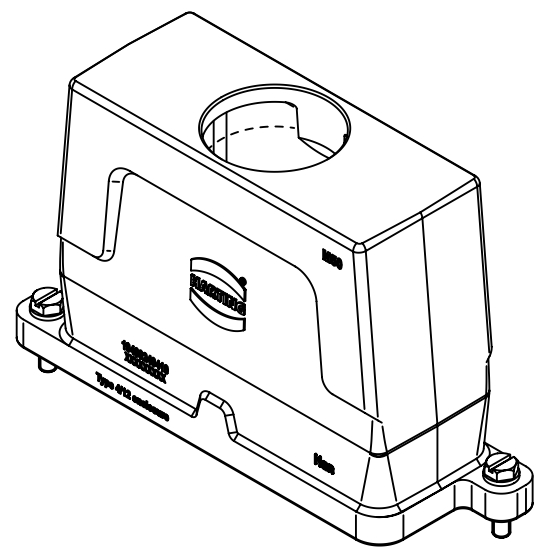
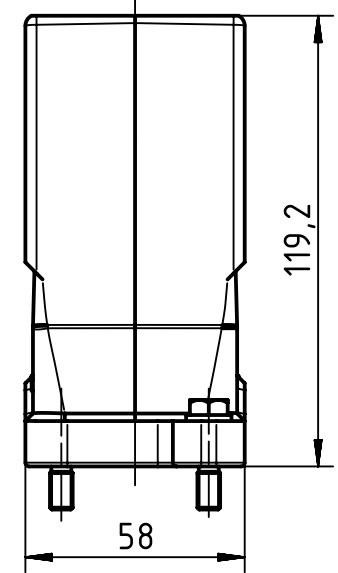
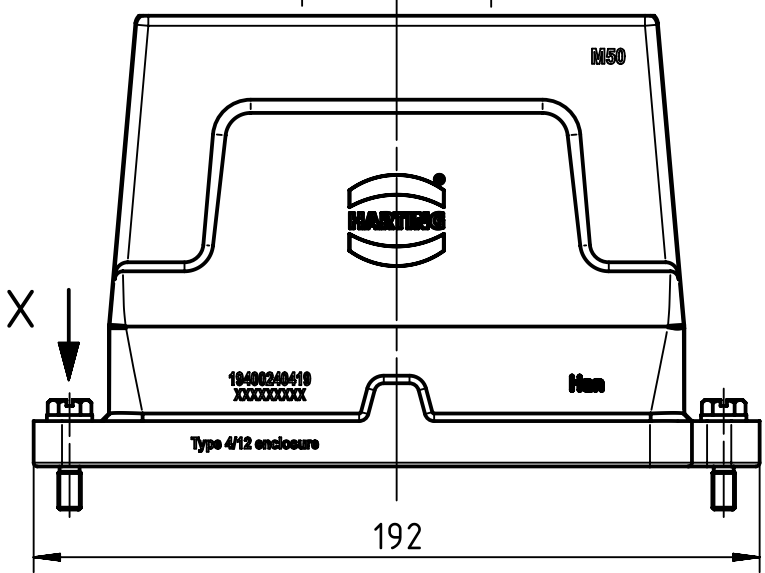
A  
B  
C  
D



X (2:1)



M50x1,5



	All Dimensions in mm Original Size DIN A4		Scale 1:2	Free size tol.		Ref.
			Created by QUADE	Inspected by BERGHORN	Standardisation TIEMANNA	Date 2016-05-18
All rights reserved Department EL PD - DE		Title <b>Han 24HPR-gg-SV-M50</b>			State Final Release	
HARTING Electric GmbH & Co. KG D-32339 Espelkamp		Type TB			Number 19 40 024 0419	
					Doc-Key / ECM-Nr. 100221321/UGD/004/C 500000103919	Rev. C
					Page 1/1	