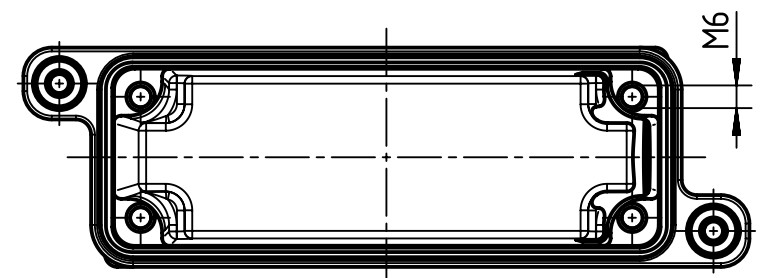
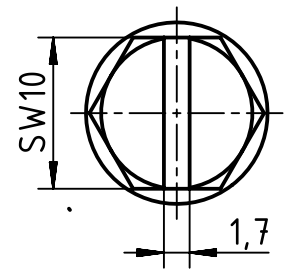


1 2 3 4 5 6

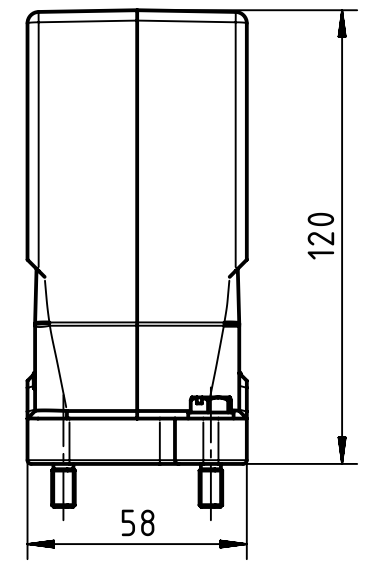
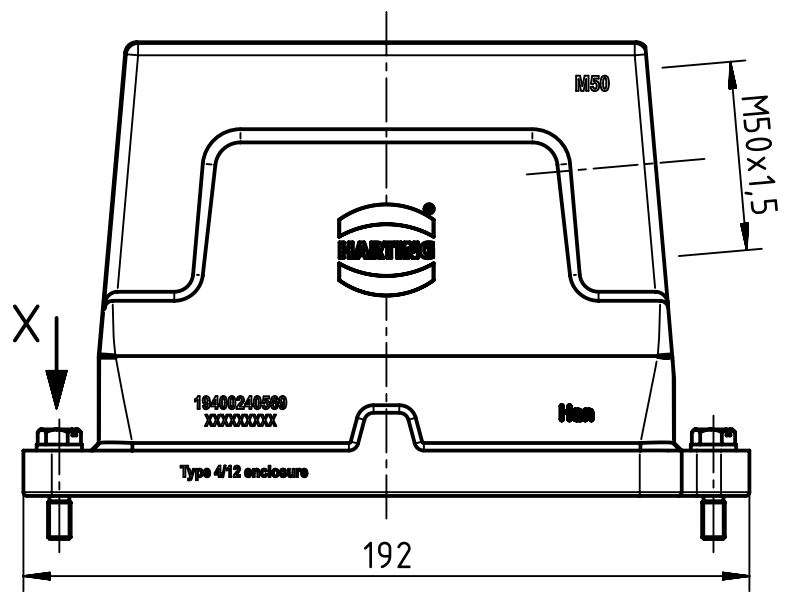
A



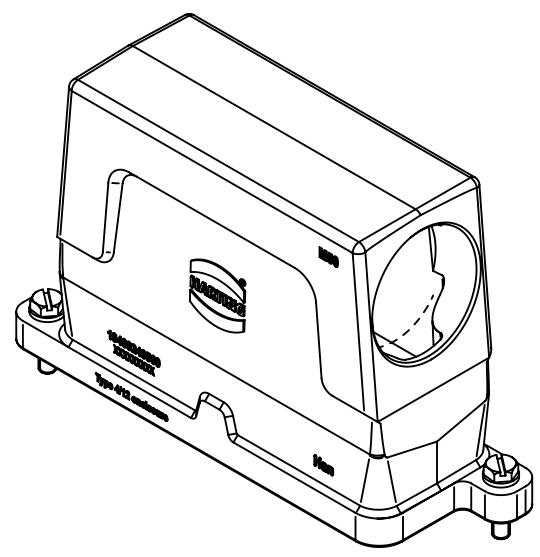
X (2:1)



B



C



D

	All Dimensions in mm Original Size DIN A4		Scale 1:2	Free size tol.		Ref.	
			Created by LONGL	Inspected by WENE	Standardisation TIEMANNA	Date 2016-04-25	State Final Release
All rights reserved Department EL PD - CN		Title <b>Han 24HPR-gs-SV-M50</b>				Doc-Key / ECM-Nr. 100669316/UGD/004/A 500000103574	
HARTING Electric GmbH & Co. KG D-32339 Espelkamp		Type TB	Number <b>19 40 024 0569</b>			Rev. A	Page 1/1