

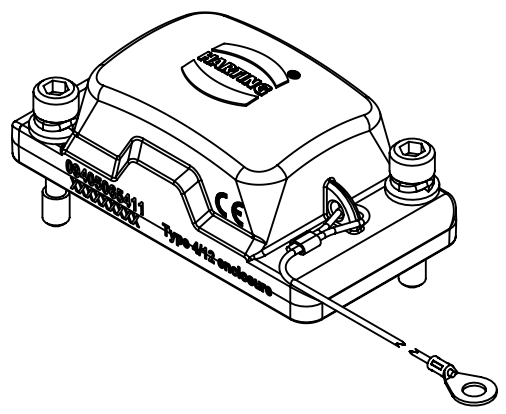
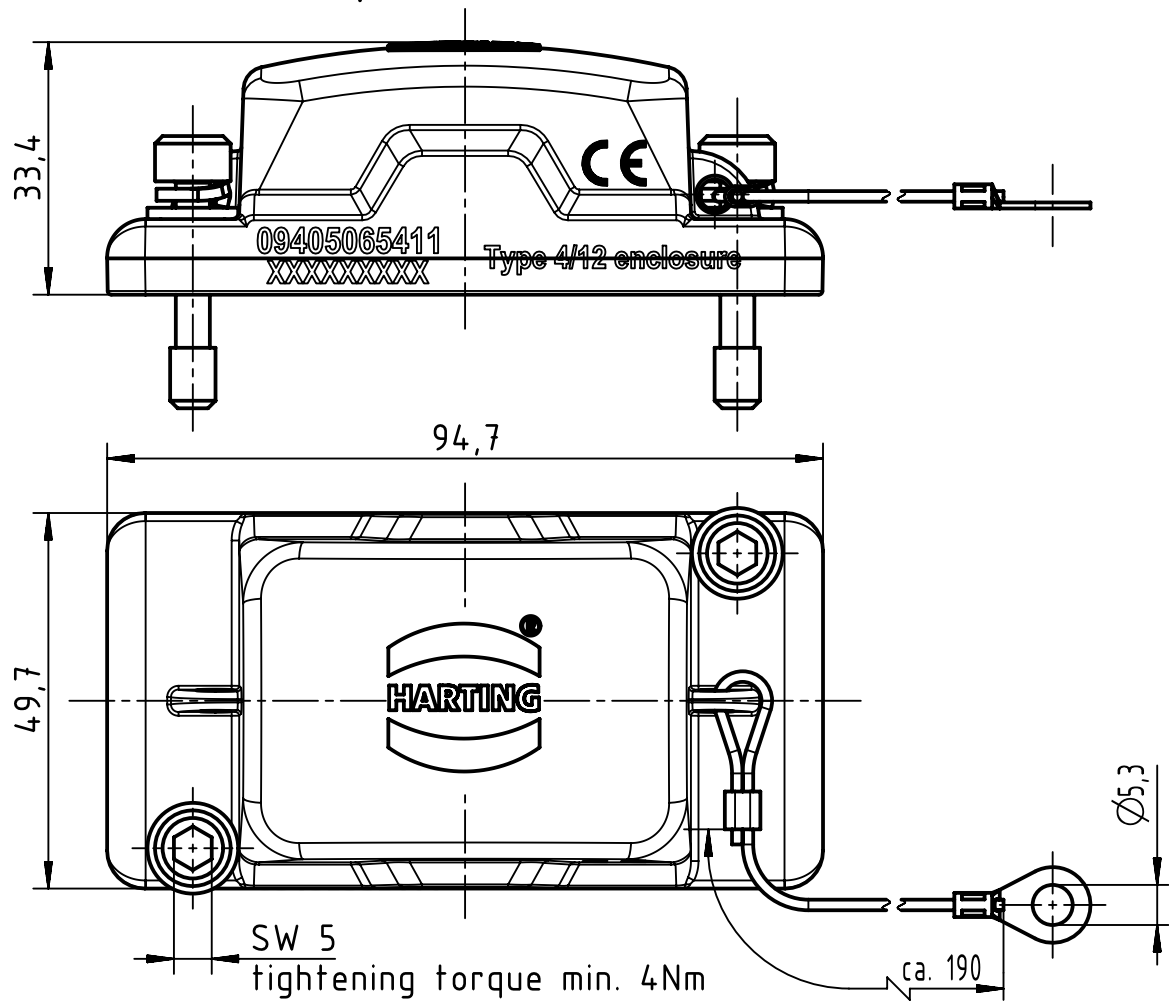
1 2 3 4 5 6

A

B

C

D



	All Dimensions in mm Original Size DIN A4		Scale 1:1	Free size tol.		Ref.		
						Sub.		
	All rights reserved		Created by WENE	Inspected by LUOK	Standardisation 302077	Date 2021-06-15	State Final Release	
	Department EL PD		Title Han 6HPR-Compact-CM-for SCL				Doc-Key / ECM-Nr. 100875659/UGD/001/C 500000196762	
HARTING D-32339 Espelkamp			Type TB	Number 09 40 506 5411			Rev. C	Page 1/1