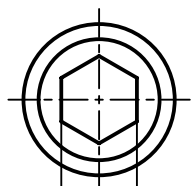
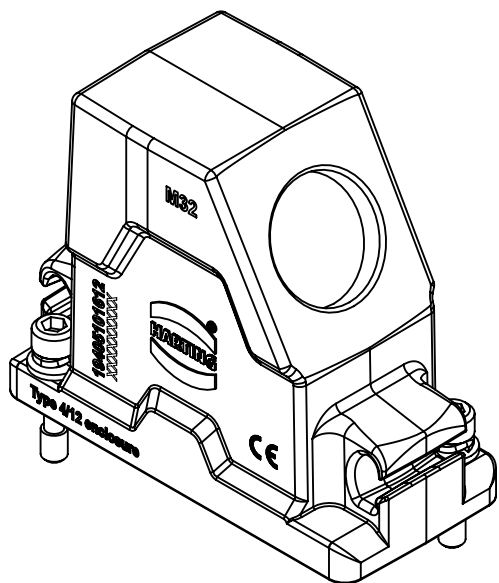
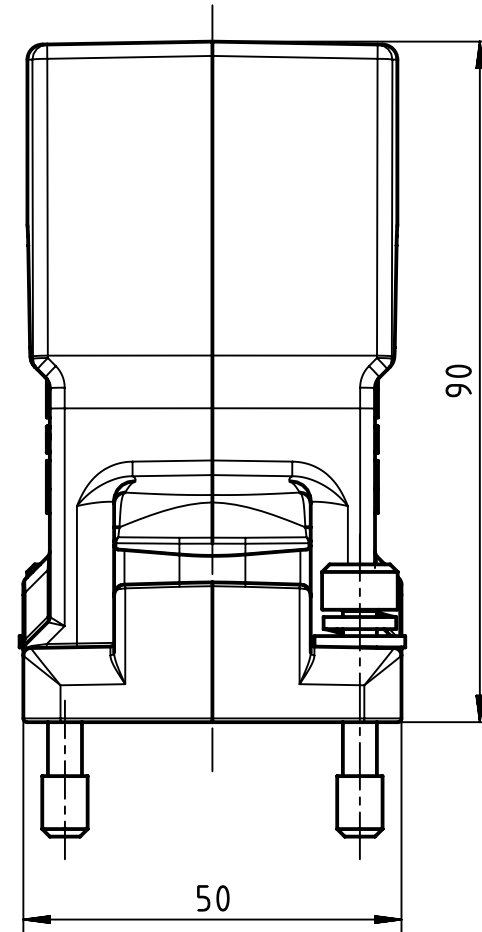
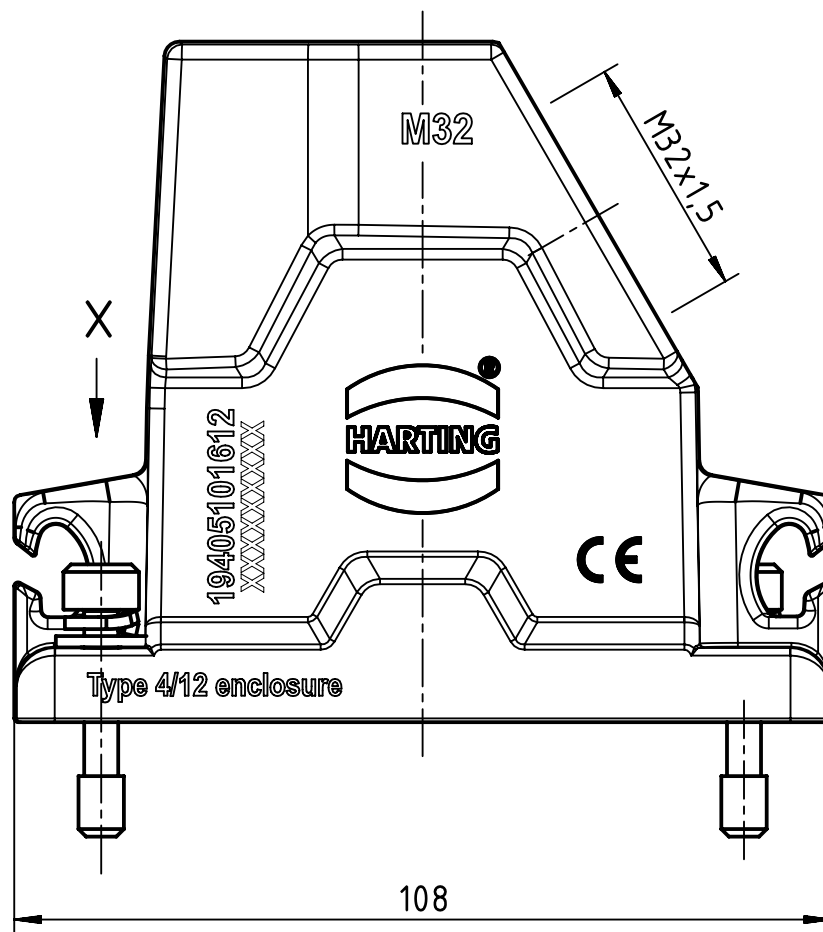


X (2:1) 2x



SW 5
tightening
torque
min. 4Nm



	All Dimensions in mm Original Size DIN A4		Scale 1:1	Free size tol.		Ref.	
			Created by WENE	Inspected by LUOK	Standardisation 302077	Sub.	
		All rights reserved Department EL PD	Date 2021-06-30		State Final Release		
		Title Han 10HPR-Compact-HA-LC-SCL-M32				Doc-Key / ECM-Nr. 100872673/UGD/002/C 500000197711	
		Type TB		Number 19 40 510 1612		Rev. C	Page 1/1