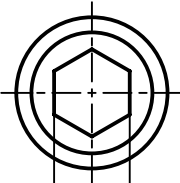


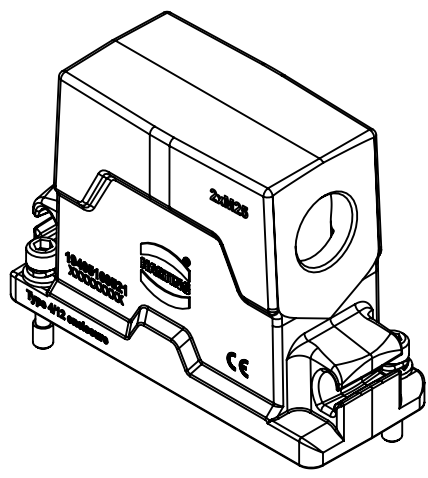
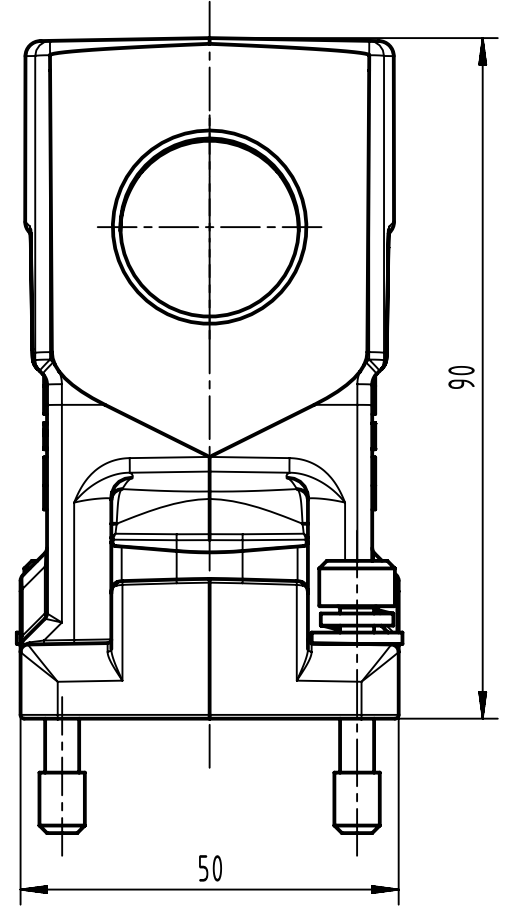
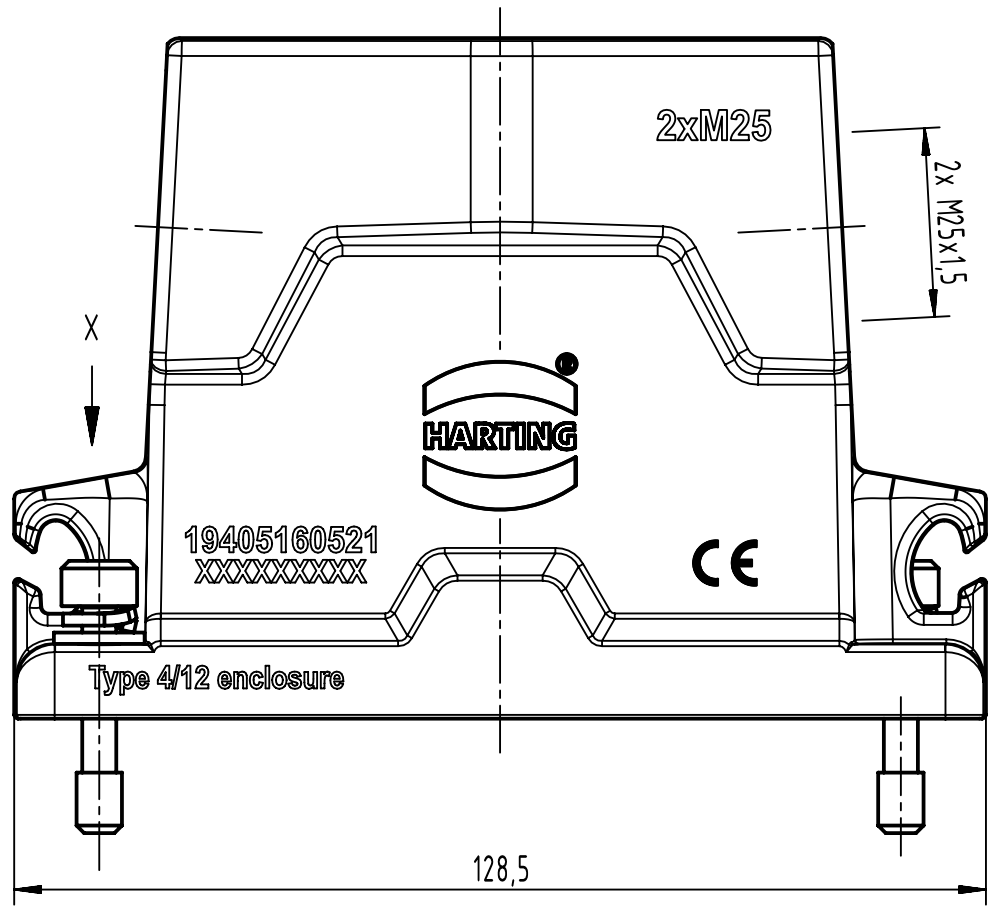
1 2 3 4 5 6

A
B
C
D

X (2:1) 2x



SW 5
tightening
torque
min. 4Nm



	All Dimensions in mm Original Size DIN A4		Scale 1:1	Free size tol.		Ref.
						Sub.
	All rights reserved		Created by WENE	Inspected by LUOK	Standardisation 302077	Date 2021-06-29
	Department EL PD					State Final Release
HARTING D-32339 Espelkamp			Title Han 16HPR-Compact-HSE2-HC-SCL-M25			Doc-Key / ECM-Nr. 100891627/UGD/001/C 500000196074
			Type TB	Number 19 40 516 0521		Rev. C
						Page 1/1