

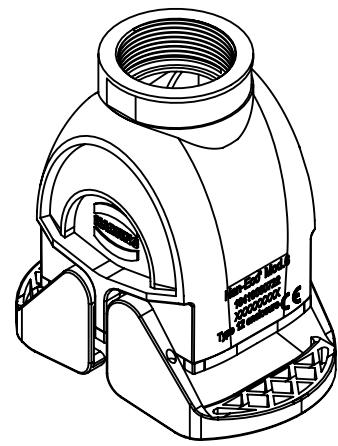
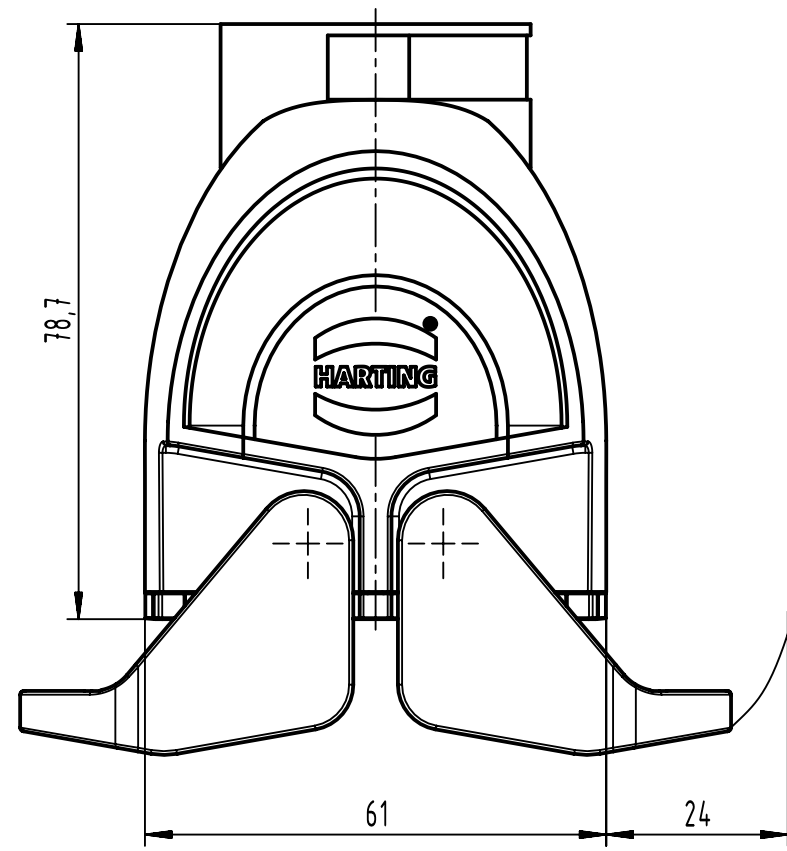
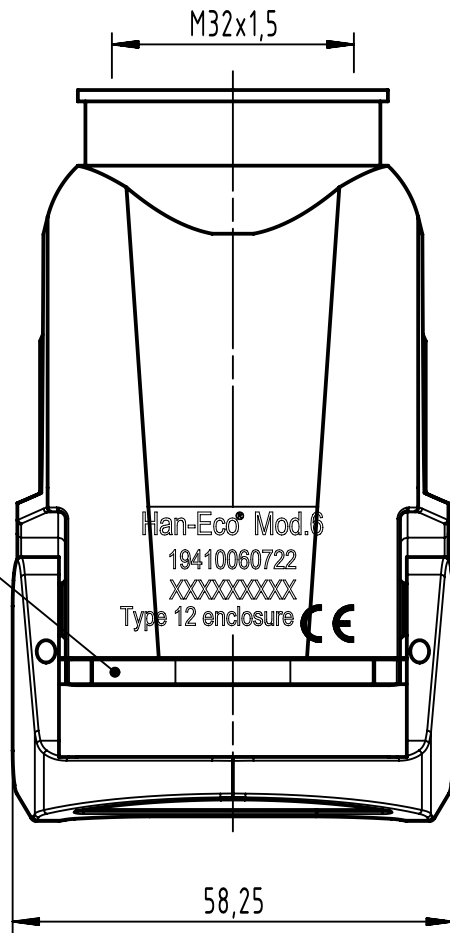
1 2 3 4 5 6

A

B

C

D



	All Dimensions in mm Original Size DIN A4		Scale 1:1	Free size tol.		Ref.	
			Created by BALSAN	Inspected by 402602	Standardisation 302077	Date 2021-02-16	State Final Release
All rights reserved Department EL PD		Title Han-Eco Mod.6-HCC-M32				Doc-Key / ECM-Nr. 100213390/UGD/008/A 500000189464	
HARTING D-32339 Espelkamp		Type TB	Number 19 41 006 0722			Rev. A	Page 1/1