

A

B

C

D

1

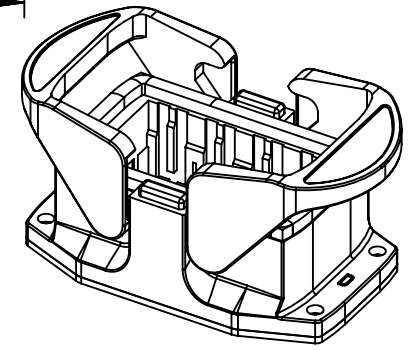
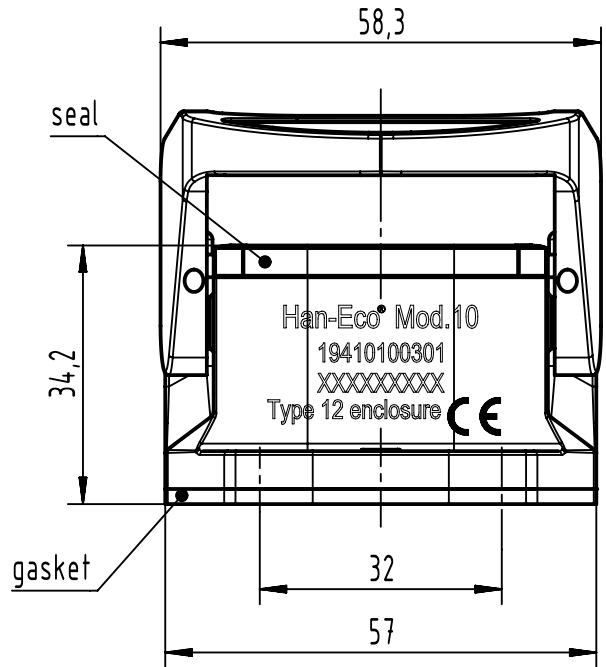
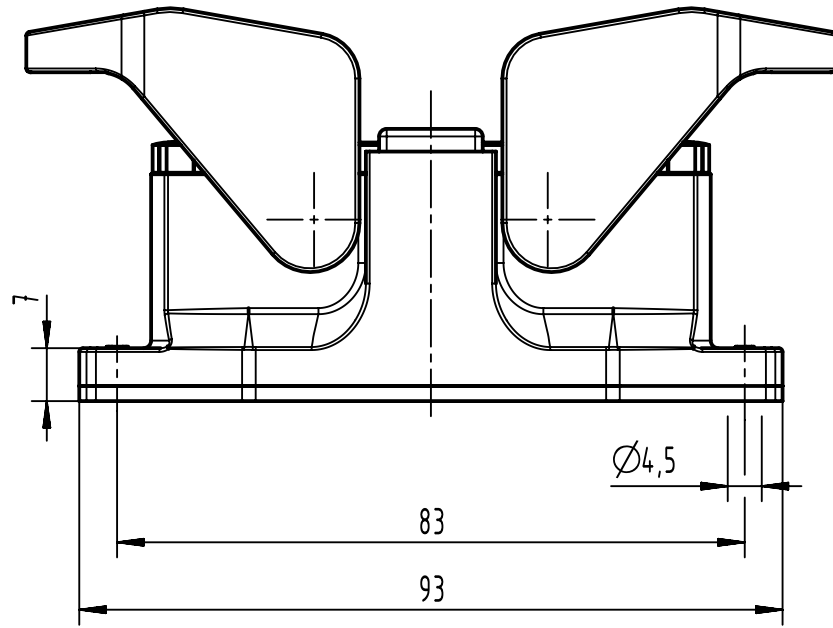
2

3

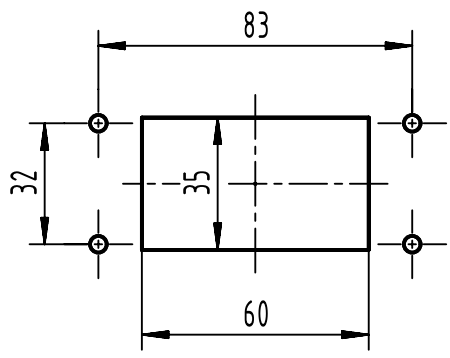
4

5

6



panel cut out  
(1:2)



	All rights reserved Department EL PD	All Dimensions in mm Original Size DIN A4		Scale 1:1	Free size tol.	Ref.
		Created by BALSAN	Inspected by 402602	Standardisation 302077	Date 2021-02-17	State Final Release
HARTING D-32339 Espelkamp		Title Han-Eco Mod.10-agg			Doc-Key / ECM-Nr. 100186483/UGD/009/B 500000189478	
		Type TB	Number 19 41 010 0301		Rev. B	Page 1/1