

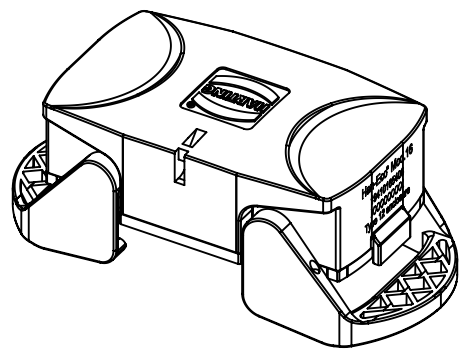
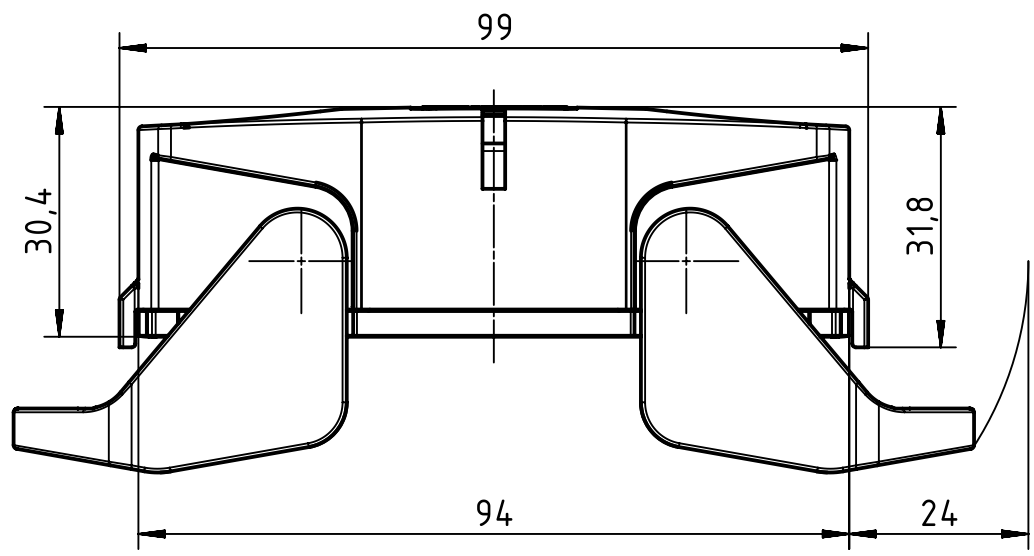
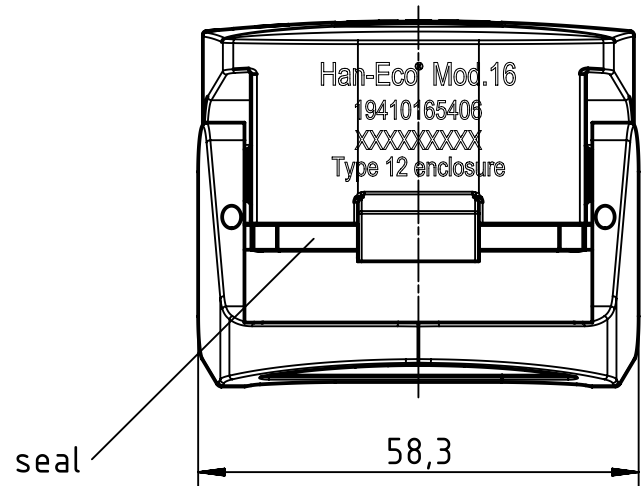
1 2 3 4 5 6


A

B

C

D



	All rights reserved Department EL PD	All Dimensions in mm Original Size DIN A4		Scale 1:1	Free size tol.	Ref. Sub. TB 19 41 016 5406 v. 01.08.11	
		HARTING Electric GmbH & Co. KG D-32339 Espelkamp	Created by SPRENB	Inspected by BERGHORN	Standardisation SCHMIDTM	Date 2018-09-11	State Final Release
Title Han-Eco Mod.16-C-f. HTE/HSE						Doc-Key / ECM-Nr. 100216840/UGD/005/A 500000138979	
Type TB				Number 19 41 016 5406		Rev. A	Page 1/1